

# Upconverters

## Communications & Power Industries Upconverters



### FEATURES/OPTIONS:

- Single or dual-conversion radar upconverter
- Couplers for test injection and output samples
- Switched IF and RF filters
- Auxiliary outputs for built-in-test

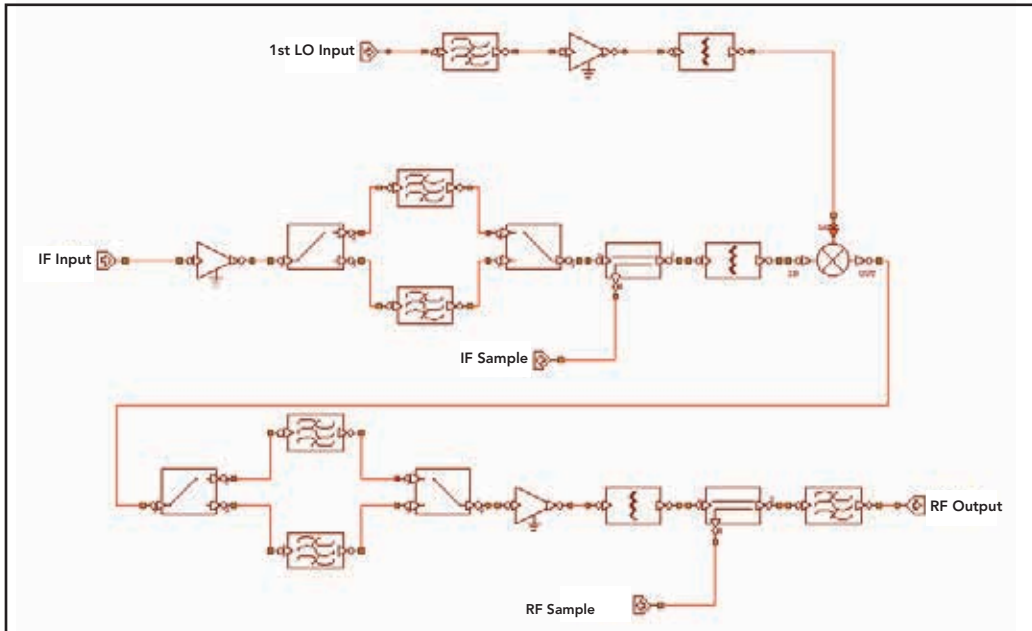
### PERFORMANCE CHARACTERISTICS:

- High spurious rejection greater than 80 dBc (see Spectral Mask plot)
- Adjustable filter bandwidth: 20 MHz – 1 GHz
- Gain control greater than 40 dB
- RF gating greater than 70 dB

# Upconverters

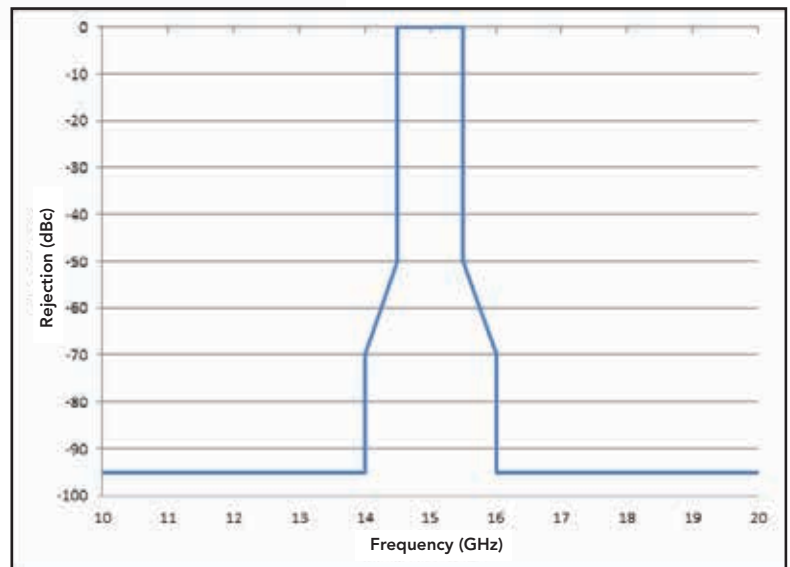
## Communications & Power Industries Upconverters

We have the ability to integrate your upconverter into a larger assembly.



Typical upconverter block diagram

Upconverter spectral mask



Ask us about designing a complete subsystem for you today.



**Beverly Microwave Division**  
150 Sohler Road  
Beverly, Massachusetts  
USA 01915

tel +1 978-922-6000  
email [BMDMarketing@cpii.com](mailto:BMDMarketing@cpii.com)  
fax +1 978-922-8914  
web [www.cpii.com](http://www.cpii.com)

For more detailed information, please refer to the corresponding CPI technical description if one has been published, or contact CPI. Specifications may change without notice as a result of additional data or product refinement. Please contact CPI before using this information for system design.

©2020 Communications & Power Industries LLC. Company proprietary: use and reproduction is strictly prohibited without written authorization from CPI. 6/20