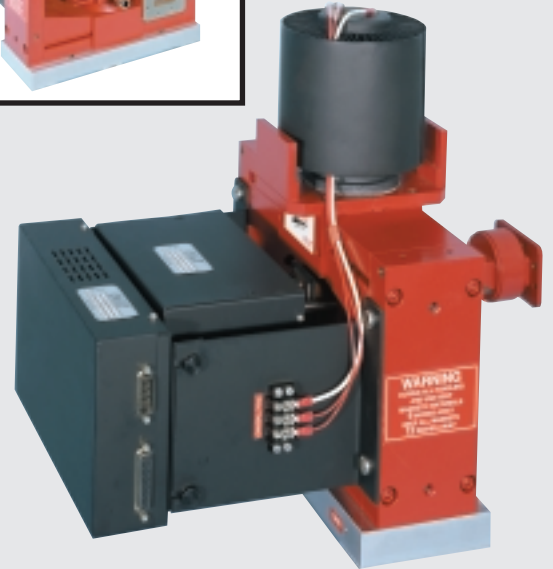
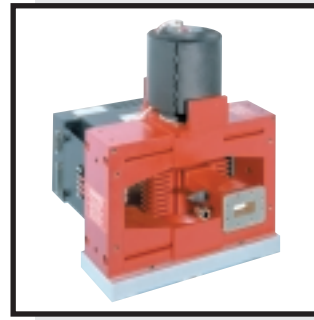


C-Band Klystrons

VKC2486 - High C-Band Series

The High C-Band klystron series is designed for use in ground based earth-to-satellite communication amplifiers. This family of klystrons has output power specifications ranging from 3000 to 3450 watts over 40 MHz of bandwidth. With the exception of the VKC2486B and E which are single channel, the klystrons in this series can be configured to provide users with 6, 12, or 24 channels. These channels settings allow operators to select preset center frequencies within seconds. As an option, Digital Fast Tuner System (DFTS) channel changers are available for sub-second selection of up to 50 channels.



RF and Electrical Specifications

Center Channel Frequency Range	
VKC2486A	6.700 to 7.050 GHz
VKC2486B, and E	7.050 GHz
VKC2486C	7.145 to 7.235 GHz
VKC2486D	6.720 to 7.200 GHz
Output Power - minimum at -1 dB points	
VKC2486E	3350W
other models	3000W
Instantaneous Bandwidth - minimum at -1 dB point	
VKC2486A, C, and D	40 MHz
VKC2486B, and E	50 MHz
Gain - minimum	
VKC2486A	40 dB
VKC2486B	37 dB
Other models	39 dB
Beam Voltage - maximum	10.0 kV
Beam Current - maximum	1.25A
Body Current - maximum	50 mA
- typical	5 mA
Heater Voltage - nominal	6.0 V
Heater Current - maximum	7.0 A
- typical	6.1 A

Physical Characteristics

Dimensions	See outline drawing.
Weight - approximate	70 lb (32 kg)
Operating Orientation	Any - normally collector up
Cooling	Forced Air
collector flow - minimum	1000 lb/hr (455 kg/hr)
body flow - minimum	90 lb/hr (41 kg/hr)
RF Connectors	
output	
VKC2486	Mates with CPR-137F flange
Other Models	Mates with CPR-137 flange
input	Mates with type "N" plug, UG-21D/U
Focusing	Integral permanent magnet

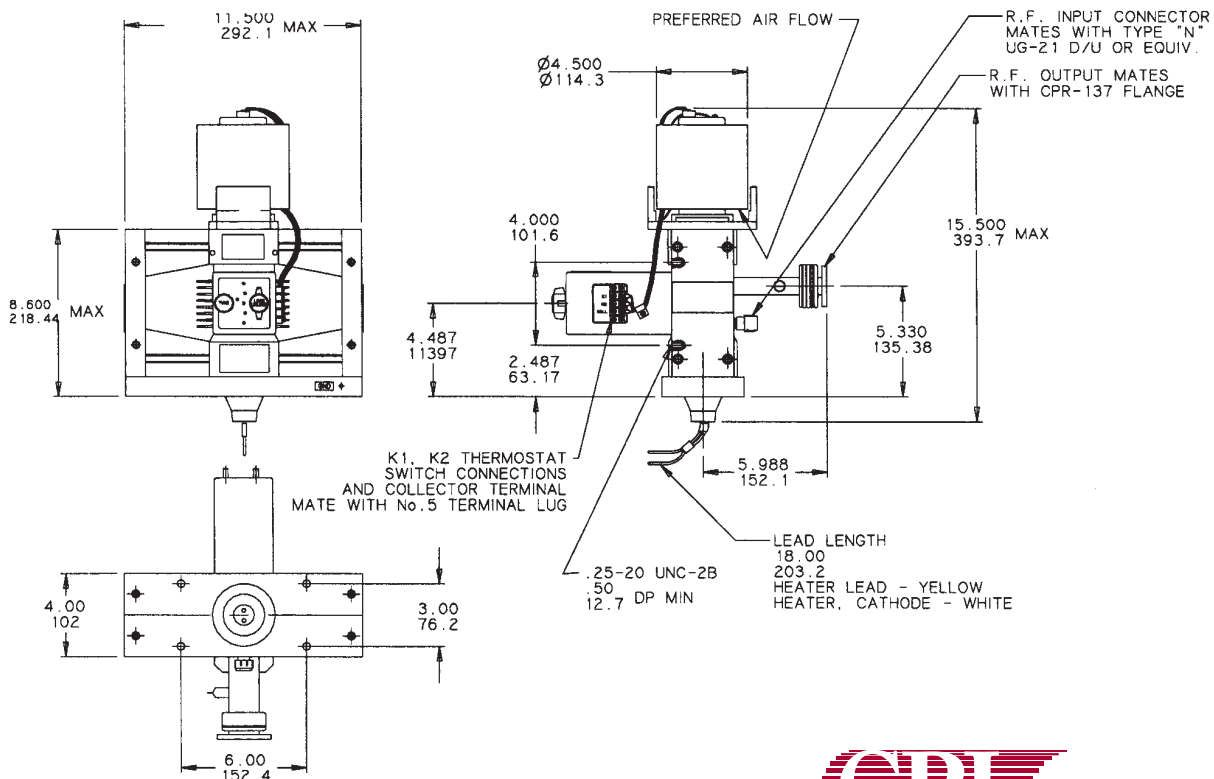
VKC2486 - High C-Band Series

Typical Characteristics

Type	Frequency Range (GHz)*Note 1	Instantaneous Bandwidth (GHz)*Note 2	Output Power (W)	Gain (dB)	Beam Voltage (kV)	Beam Current (mA)
VKC2486A	6.700 - 7.050	43	3083	48	8.3	1.14
VKC2486B	7.050	52	3100	41	8.3	1.15
VKC2486C	7.145 - 7.235	45	3200	42	8.6	1.15
VKC2486D	6.700 - 7.200	45	3400	42	8.7	1.15
VKC2486E	7.050	52	3400	43	8.6	1.13

- Note 1: Frequencies listed are center channel frequencies.
- Note 2: Bandwidth measured at - 1dB points.
- For full specifications please contact CPI.

Typical Outline Drawing



For complete information on the full High C-Band Series and other klystrons used in satellite communications, please contact your local CPI office, or CPI Canada Inc.

Communications & Power Industries Canada Inc.
 45 River Drive / Georgetown, Ontario / Canada L7G 2J4
 Hot Line Telephone: 1-800-267-JETSAT
 Tel: (905) 877-0161 Fax: (905) 877-5327
 E-MAIL: marketing@cmp.cpi.com
 WEB: www.cpii.com.cmp