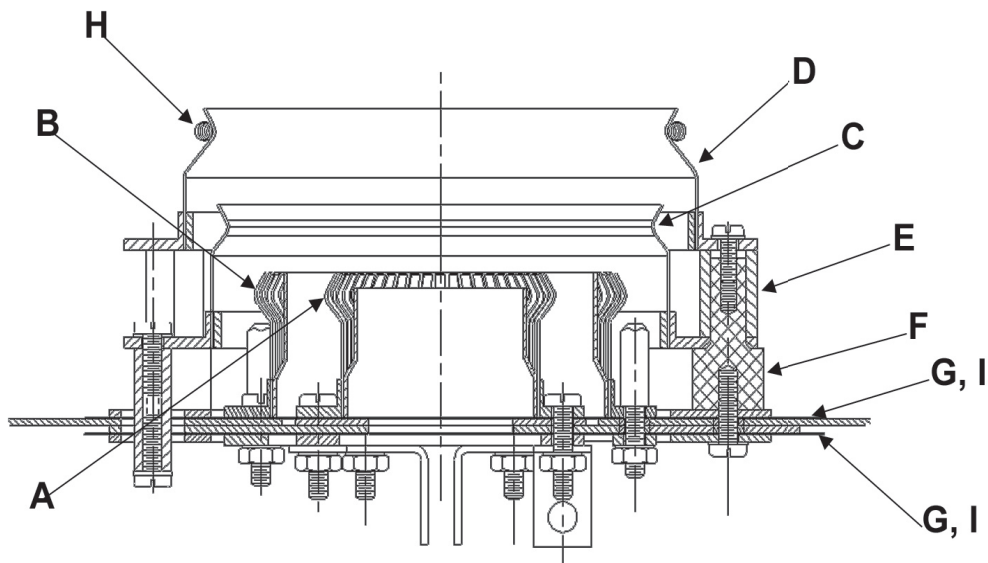


S O C K E T S

EIMAC provides sockets and accessories that are specifically designed for use with EIMAC tubes. Choice of the proper socket insures longer tube life and better performance. All sockets incorporate low loss insulating materials. All metal parts are plated for corrosion protection. Tube contact surfaces are non-ferrous spring alloy, silver plated for good RF conductivity and heat treated for positive contact and long life. Open construction permits adequate air flow for tube cooling.,

Sockets and spare parts are available through Richardson Electronics

Socket Type	A Inner Filament Collet	B Outer Filament Collet	C Control grid Collet	D Screen Grid Collet	E Sleeve Insulator	F Post Insulator	G Bypass Capacitor	H Grid Collet Spring	I Filament Collet Insulator
SK-300A	001837	001838	115738	115740	015380	015379	—	149297	001820
SK-350	001837	001838	001839	001840	243113	154819	243131	149297	—
SK-360	001837	001838	001839	001840	001813	243348	243131	149297	—
SK-361A	001837	001838	15884	—	—	—	—	—	—
Y-291	001837	001838	115925	115927	001813	015379	—	149297	149081
SK-1300	001837	001838	115594	—	115595	154280	—	149297	—



Various Socket Assemblies