

Communications & Power Industries Triode



The 3CW7000A7/YC-236 is a ceramic/metal, water-cooled high-mu triode intended for use as an amplifier, oscillator, or modulator, or in voltage regulator applications. Its maximum rated anode dissipation is 7000 watts. The 3CW7000A7/YC-236 is a water-cooled version of the air cooled 3CX3000F7 and is identical in electrical performance characteristics. The addition of a grid flange simplifies socketing in grounded grid applications. Operation with zero grid bias in many applications offers circuit simplicity by eliminating the bias supply. Grounded grid operation is attractive since a power gain of over 20 times can be obtained.

FEATURES:

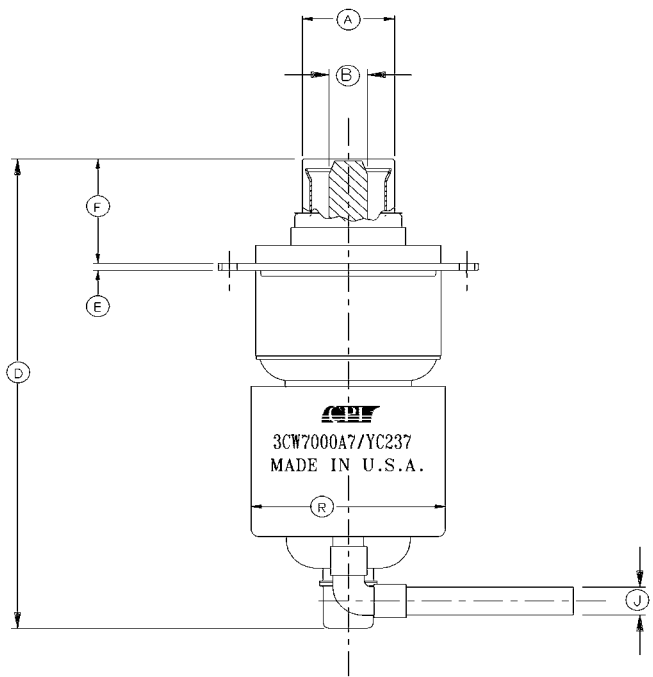
Maximum plate dissipation:	7,000 Watts
Maximum screen dissipation:	---
Maximum grid dissipation:	225 Watts
Frequency for max rating (CW):	110 MHz
Amplification factor:	160
Filament/cathode:	Thoriated Tungsten
Voltage:	7.5 Volts
Current:	51.5 Amps
Capacitance: Grounded cathode	
Input:	38.0 pF
Output:	0.6 pF
Feedthrough:	24.0 pF
Capacitance: Grounded grid	
Input:	38.0 pF
Output:	24.0 pF
Feedthrough:	0.6 pF
Cooling:	Water
Base:	Special Coaxial
Air Socket:	---
Air Chimney:	---
Boiler:	---
Length:	8.5 in; 216 mm
Diameter:	4.25 in; 108 mm
Weight:	5.5 lb; 2.5 kg

BENEFITS:

- Worldwide brand name recognition
- Over 85 years technical expertise

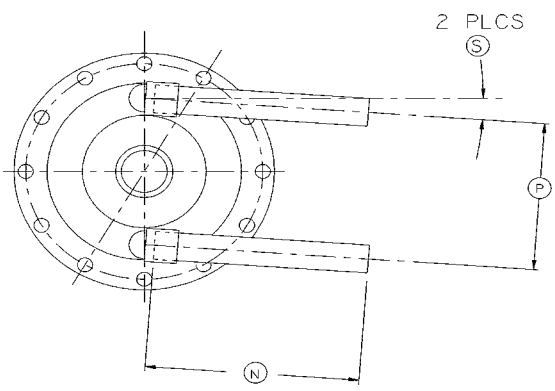
APPLICATIONS:

- Industrial



DIM.	INCHES			MILLIMETERS		
	MIN.	MAX.	REF.	MIN.	MAX.	REF.
A	1.490	1.510		37.8	38.4	
B	.615	.635		15.62	16.13	
D	8.00	9.00		203.20	228.60	
E			.125			3.175
F	1.703	1.953		43.26	49.6	
J			.59			15.0
N			3.500			88.90
P			2.598			65.99
R			3.17			80.52
S		4*				

NOTES:
 1. REF. DIMENSIONS ARE FOR INFO ONLY & ARE NOT REQUIRED FOR INSPECTION PURPOSES.



With a history of producing high quality products, we can help you with your triode.
Contact us at MPPMarketing@cpii.com or call us at +1 650-846-2800. The data should be used for basic information only.
 Formal, controlled specifications may be obtained from CPI for use in equipment design.



Microwave Power Products Division
 811 Hansen Way
 Palo Alto, California
 USA 94304

tel +1 650-846-2800
 fax +1 650-856-0705
 email MPPMarketing@cpii.com
 web www.cpii.com/MPP

For more detailed information, please refer to the corresponding CPI technical description if one has been published, or contact CPI. Specifications may change without notice as a result of additional data or product refinement. Please contact CPI before using this information for system design.

©2020 Communications & Power Industries LLC.
 Company proprietary: use and reproduction is strictly prohibited without written authorization from CPI.