

## Communications & Power Industries Helix Traveling Wave Tube



Custom configurations are also available. These variations in the performance and configuration include:

- mechanical configurations
- electrical and RF connections
- dual-stage depressed collector

	Frequency (GHz)	Power output (min)
VTX-6388L8	7.9 - 8.4	2.25 kW/1.2 kW CW

### FEATURES:

- 2.25 kW peak power @ 50% duty - 1.2 kW CW power
- 7.9 - 8.4 GHz
- PPM focusing
- Coaxial input
- Waveguide output
- Weight: 30 lbs. max
- Forced air cooled

### BENEFITS:

- High efficiency
  - Less prime power required (due to multiple stage collectors)
- PPM focusing

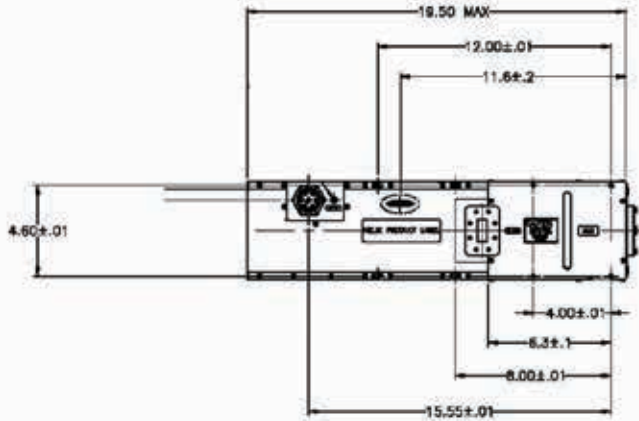
### APPLICATIONS:

- Satellite uplinks
- Communications
- Instrumentation
- DBS (Direct Broadcast System)

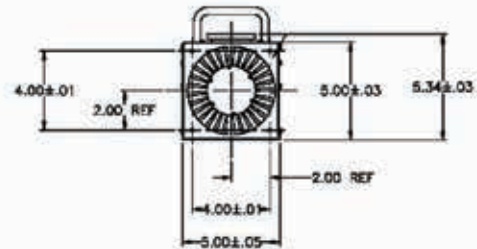
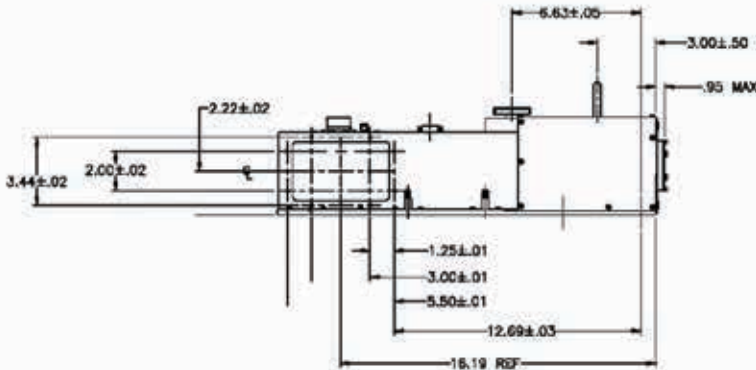
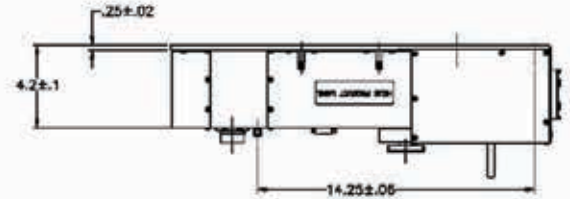
### Typical Operating Parameters

	Minimum	Maximum	Typical	Units
Heater voltage	5.7	6.6	---	Vdc
Heater surge current	---	5.0	---	A
Helix voltage	14.4	15.3	---	kVdc
Helix current	---	25	---	mAdc
Collector voltage 1	64% of Ew	66% of Ew	---	kVdc
Collector current 1	---	500	---	mAdc
Collector voltage 2	12% of Ew	14% of Ew	---	kVdc
Collector current 2	---	900	---	mAdc
Cathode warm-up time	3.0	---	---	minutes
Drive power	---	---	---	mW
Collector temp	---	150	---	°C
Prime power	---	4900	---	W
Load VSWR	---	1.3:1	---	VSWR

# CPI CW Helix Traveling Wave Tube: VTX-6388L8



Outline:  
VTX-6388L8



With a history of producing high quality products, we can help you with your Helix TWT.  
**Contact us at [MPPMarketing@cpii.com](mailto:MPPMarketing@cpii.com) or call us at +1 650-846-2800.**

The data should be used for basic information only. Formal, controlled specifications may be obtained from CPI for use in equipment design.



**Microwave Power  
Products Division**  
811 Hansen Way  
Palo Alto, California  
USA 94304

tel +1 650-846-2800  
email [MPPMarketing@cpii.com](mailto:MPPMarketing@cpii.com)  
web [www.cpii.com/MPP](http://www.cpii.com/MPP)

For more detailed information, please refer to the corresponding CPI technical description if one has been published, or contact CPI. Specifications may change without notice as a result of additional data or product refinement. Please contact CPI before using this information for system design.

©2020 Communications & Power Industries LLC. Company proprietary; use and reproduction is strictly prohibited without written authorization from CPI.