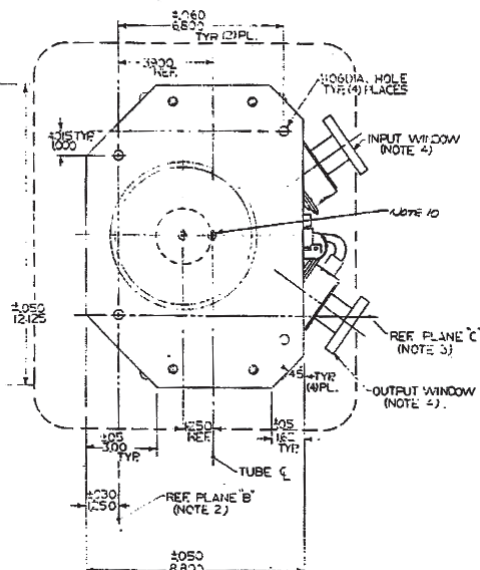
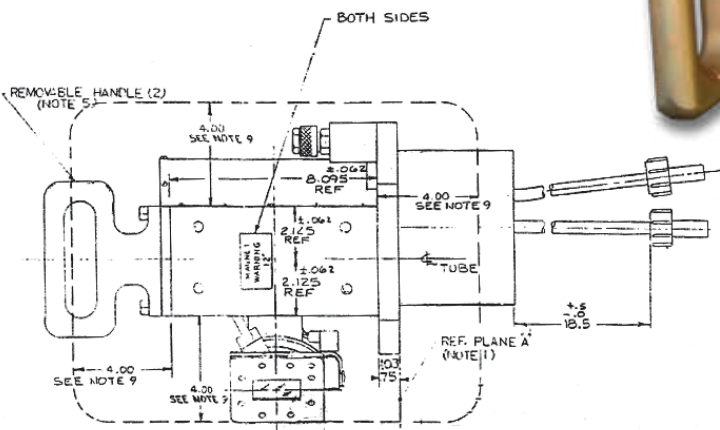
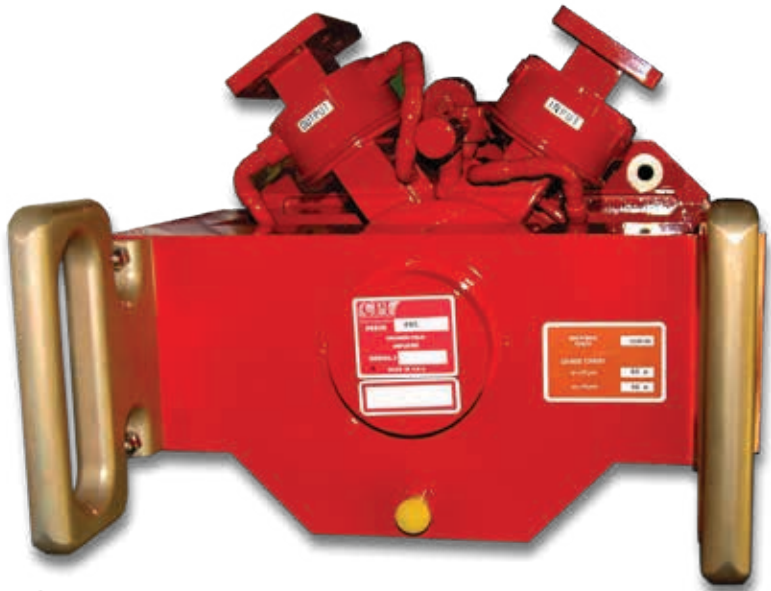


## Communications & Power Industries Crossed-Field Amplifier

With a history of producing high quality products, we can help you with CFA.

Contact us at [BMDMarketing@cpii.com](mailto:BMDMarketing@cpii.com) or at call us at +1 978-922-6000.



### FEATURES:

- Frequency: 5.4 - 5.9 GHz
- Peak power: 500 kW
- Duty cycle: 0.0025
- Pulsewidth: 3.5  $\mu$ Sec
- Anode voltage 27 kV
- Cold cathode
- Water cooled
- Control electrode pulsed

### BENEFITS:

- High peak power
- Wide bandwidth

### APPLICATIONS:

- Ground based radar



**Beverly Microwave Division**  
150 Sohler Road  
Beverly, Massachusetts  
USA 01915

tel +1 978-922-6000  
email [BMDMarketing@cpii.com](mailto:BMDMarketing@cpii.com)  
fax +1 978-922-8914  
web [www.cpii.com](http://www.cpii.com)

For more detailed information, please refer to the corresponding CPI technical description if one has been published, or contact CPI. Specifications may change without notice as a result of additional data or product refinement. Please contact CPI before using this information for system design.

©2020 Communications & Power Industries LLC. Company proprietary: use and reproduction is strictly prohibited without written authorization from CPI. 4/20