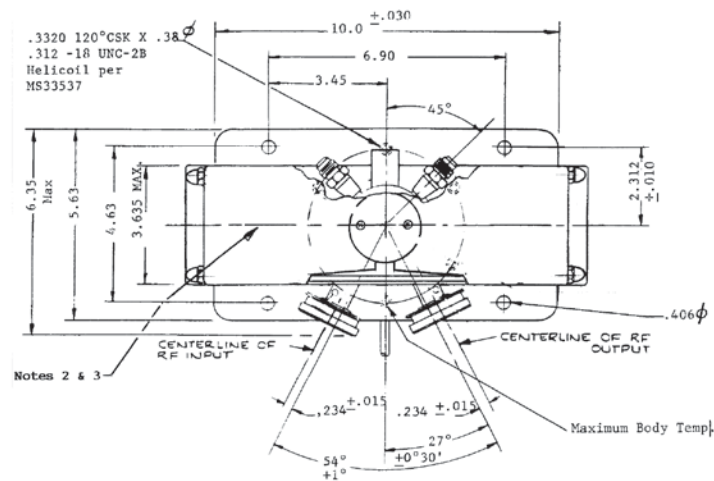
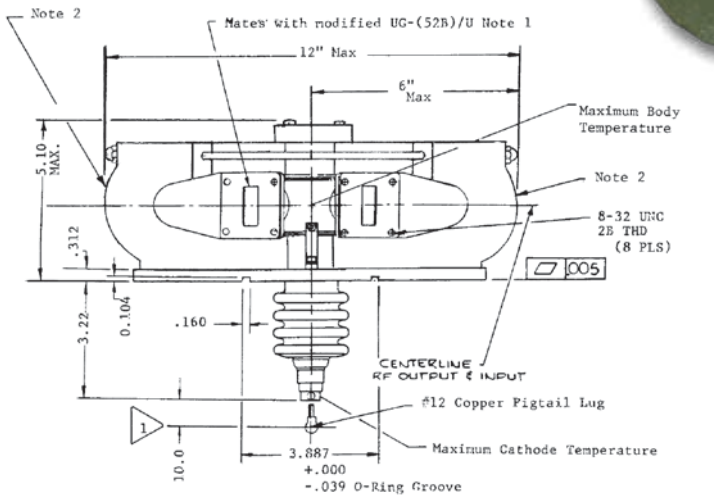


Communications & Power Industries Crossed-Field Amplifier

With a history of producing high quality products, we can help your with CFA.

Contact us at BMDMarketing@cpii.com or at call us at +1 978-922-6000.



FEATURES:

- Frequency: 9.5 - 10.0 GHz
- Peak power: 500 kW
- Duty cycle: 0.001
- Pulsewidth: 0.5 μSec
- Anode voltage 34 kV
- Cold cathode
- Water cooled anode

BENEFITS:

- High peak power
- Wide bandwidth

APPLICATIONS:

- Ground based radar



Beverly Microwave Division
 150 Sohler Road
 Beverly, Massachusetts
 USA 01915

tel +1 978-922-6000
 email BMDMarketing@cpii.com
 fax +1 978-922-8914
 web www.cpii.com

For more detailed information, please refer to the corresponding CPI technical description if one has been published, or contact CPI. Specifications may change without notice as a result of additional data or product refinement. Please contact CPI before using this information for system design.

©2020 Communications & Power Industries LLC. Company proprietary; use and reproduction is strictly prohibited without written authorization from CPI.