

# Touch Panel Controller

## Features

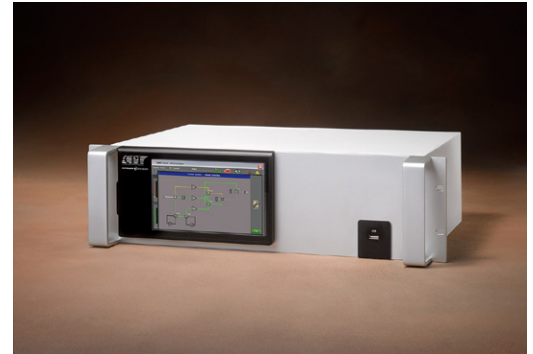
- Communicates with newer models via Ethernet, and with legacy amps via serial interface (RS-485). Supports SIM switch configuration software, controlling up to sixteen switches and ten amplifiers which have CAN-Bus architecture, or in other cases up to four switches and three amplifiers.
- Can be used as a switch monitor and manual override controller in systems where all HPAs are connected to a SIM switching system or legacy switch system.
- Provides upstream Ethernet interface for the connected legacy amplifiers:
  - Ethernet control only (BCIP or ACIP as supported by amplifier) or serial interface
  - Web interface available
- Able to provide remote control capability for multiple (SIM enabled) systems simultaneously

## Local User Interface

- Same state-of-the-art interface as CPI's new T-Series indoor HPAs (without the RF sample port or front power switch)
- Touch-screen control panel
  - Display systems overview(s)
  - Display amplifier details
  - Control switch systems
  - Control amplifier(s)
  - Configure interfaces
  - Configure switch system
- USB Port
  - Download log of most (T-series) amplifiers to USB stick
  - Upload panel firmware from USB stick to any (T-series) amplifier
  - Download screen settings of remote controller's user interface
  - Upload screen settings of remote controller's user interface

## M&C Interface

- BCIP over Ethernet (standard) to amplifiers
- Serial (BCIP and if legacy, ACIP) to amplifiers: RS 485
- Serial - Panel to M&C System: RS-232/485



### Model 3RU

5.25" panel provides full M&C capability for CMPAs, CHPAs and most outdoor HPAs. For **satellite uplink applications**.

#### OPTIONS

- Second AC Input
- Redundant Power Supply

#### REGULATORY

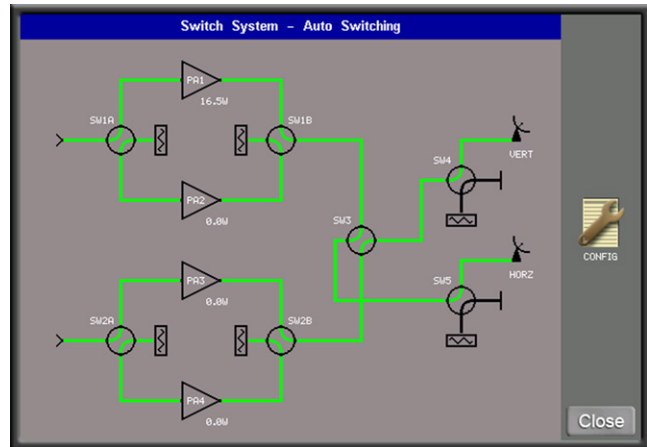
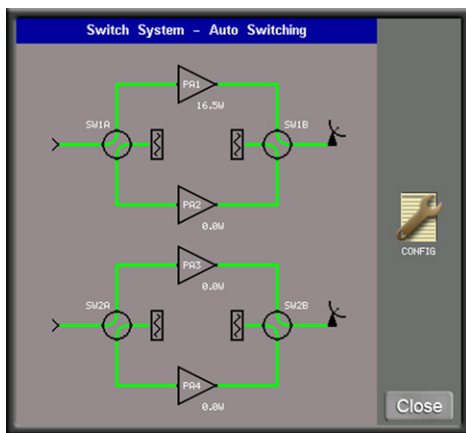
- RoHS Certified
- CE Marked
- EMC per Directive 2004/108/EC to Class A equipment level



811 Hansen Way, PO Box 51625  
 Palo Alto, CA 94303 USA  
 tel: +1 (650) 846-3803  
 fax: +1 (650) 424-1744  
 e-mail: [satcommarketing@cpii.com](mailto:satcommarketing@cpii.com)  
 website: [www.cpii.com/satcom](http://www.cpii.com/satcom)

**Touch Panel Controller for CPI Satellite Uplink Amplifiers and Systems**

| Specification                   | Model 3RU  |
|---------------------------------|--|
| Display Screens                 | Redundant Switch System Status, Redundant Switch System Control, Amplifier Status, Amplifier Menu, Amplifier Meters, Amplifier Settings, Amplifier Event Log                               |
| System Indicators               | M&C Remote Control, Local Panel Control  |
| Touch Screen Controls           | Local/Remote, Switch System Selector, Switch Auto/Manual, Manual Switch Control Amplifier Selector, Transmit and Standby, Fault Reset, RF Inhibit, Amplifier RF Power Level, Menu Selector |
| Rear Panel Connections/Controls | AC Prime Power Input, AC On/Off Switch, RS-485 to Amplifier(s)<br>RS-232/422/485 Serial M&C Port, 10Base-T Ethernet M&C Port   |
| Dimensions                      | 5.25 x 19 x 10 inches max. (134 x 483 x 254 mm)  |
| Weight                          | <15 lbs. (6.8 kg)  |
| Input Power                     | 100 to 240 VAC ±10%; 50/60 Hz  |
| Power Consumption               | < 20 watts   |
| Ambient Temperature             | -10°C to +50°C operating; -40°C to +71°C non-operating   |
| Relative Humidity               | 95% non-condensing   |
| Shock and Vibration             | As encountered in normal transportation  |



System control page view of two separate redundancy systems