

VKA-7932 Series Klystron



CPI Microwave Power Products' (MPP) klystrons were the first to be used in both commercial and military satellite communications uplinks and are now the worldwide standards for this class of operation covering C-band, X-band and Ku-band frequencies. In 1977, MPP introduced high performance Ka-band amplifiers for earth-satellite communications. These products, based on high reliability military products, are now available for long-life high-performance commercial applications. MPP offers a wide variety of Ka-band products, at power levels ranging from 250 watts to 1 MW continuous wave.

Typical Operating Parameters

Power Output	1000	Watts (min)
Beam Voltage	11	kV (max)
Beam Current	1.05	A (max)
Frequency	27 to 35	GHz
1dB Bandwidth	100	MHz (min)
Saturated Gain	45	dB (min)
Cooling Method	Liquid	
Coolant Flow Rate	8	gpm (min)
Pressure Drop	50	psig (max)
Total Weight	35	lbs (max)
Size	9.2 x 7.5 dia.	inches (max)

Outline

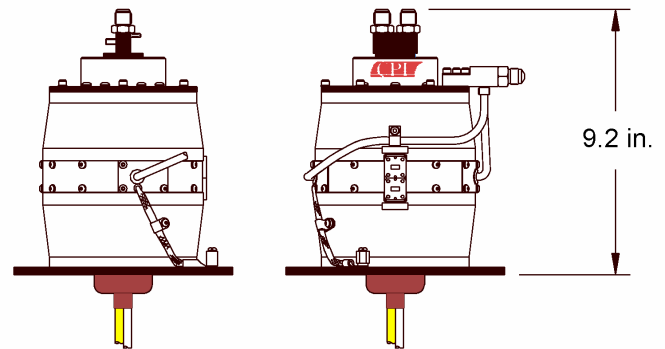


Photo by Geoff Russell

Features

- High Power
- Low Operating Voltage
- 100+ MHz Instantaneous Bandwidth
- Liquid Cooled for Increased Thermal Stability
- Rare-Earth Permanent Magnet Focusing

For additional information on Ka-band, other CPI MPP products or a copy of our catalog-on-disk contact:

CPI/Microwave Products Division, 811 Hansen Way, Palo Alto, CA 94303-0750
Telephone: 650-846-3900, Fax: 650-856-0705, Email: marketing@cpii.com

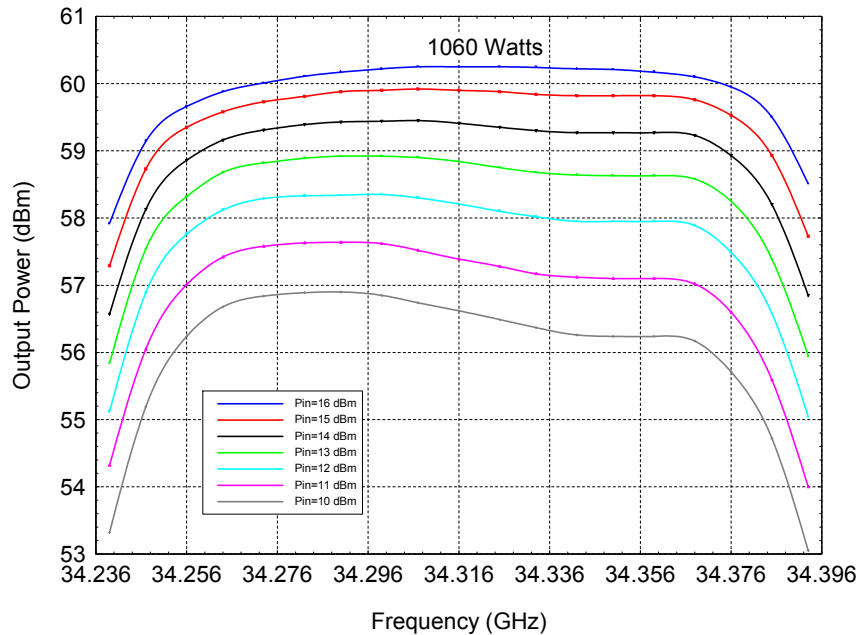
VKA-7932 Series Klystron



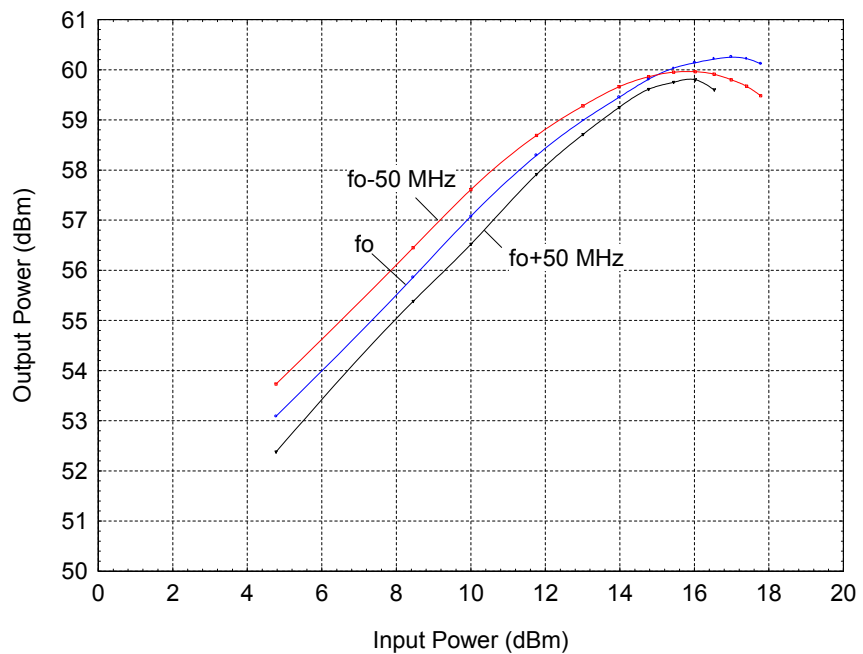
Typical Performance Characteristics

Measured data for the VKA-7932A serial number 101.
Operating voltage is 10.3 kV, current 840 mA.

Frequency Response



Transfer Curve



For additional information on Ka-band, other CPI MPP products or a copy of our catalog-on-disk contact:

CPI/Microwave Products Division, 811 Hansen Way, Palo Alto, CA 94303-0750
Telephone: 650-846-3900, Fax: 650-856-0705, Email: marketing@cpii.com