



# HIGH POWER MMW AMPLIFIER

## 95 GHz 100 Watts CW

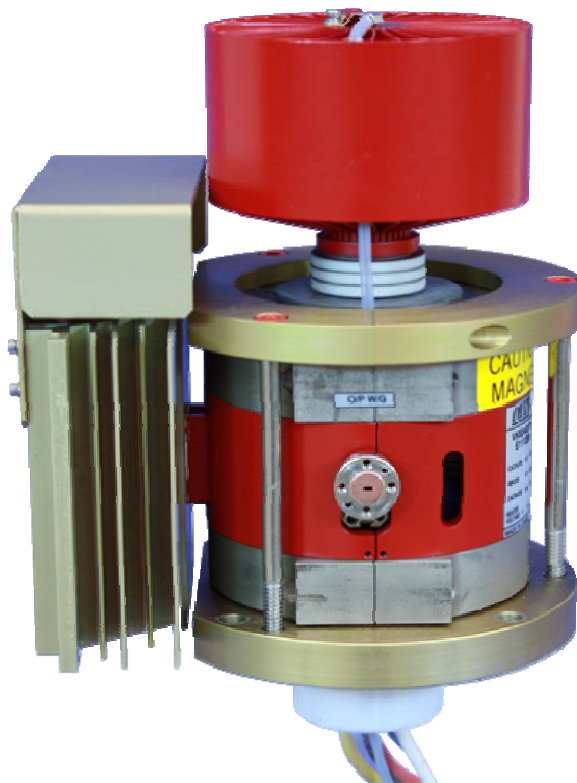
### MODEL SERIES VKB 2463

#### DESCRIPTION

Model VKB2463 is a series of air-cooled pulsed Extended Interaction Klystron used for radar, instrumentation and scientific applications.

Frequencies are available from 94 GHz to 95 GHz producing 100 Watts CW power with a 3dB bandwidth of 300 MHz. This high gain vacuum electron device is remarkably compact, has long life and a highly stable output.

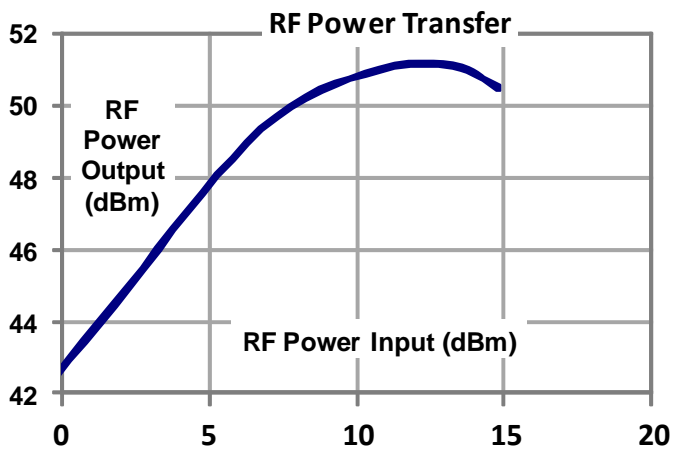
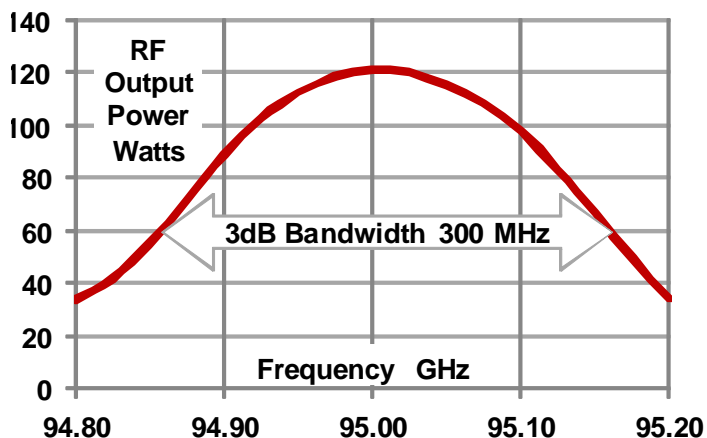
The VKB 2463 series of EIK's may be integrated with the CPI VPW 2827 series of power conditioners resulting in a compact self-contained and highly reliable transmitter subsystem.



TYPICAL ELECTRICAL PERFORMANCE	
Center Frequency	95 GHz
CW Output Power	120 W
Bandwidth (-3dB)	300 MHz
Drive Power to Saturate	10 mW
Cathode Voltage	-10.8 kV
Cathode Current	108 mA
Anode Voltage	+5.3 kV

TYPICAL ENVIRONMENT		
Temperature: Operating		-20°C to +40°C
Temperature: Non-operating		-40°C to +75°C
Humidity		95% rel, non-condensing
Altitude		3000 metres max.

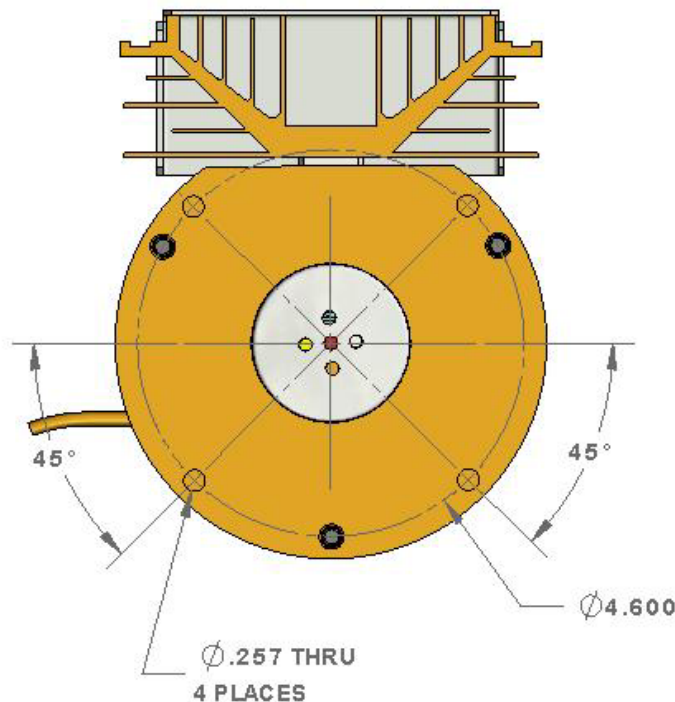
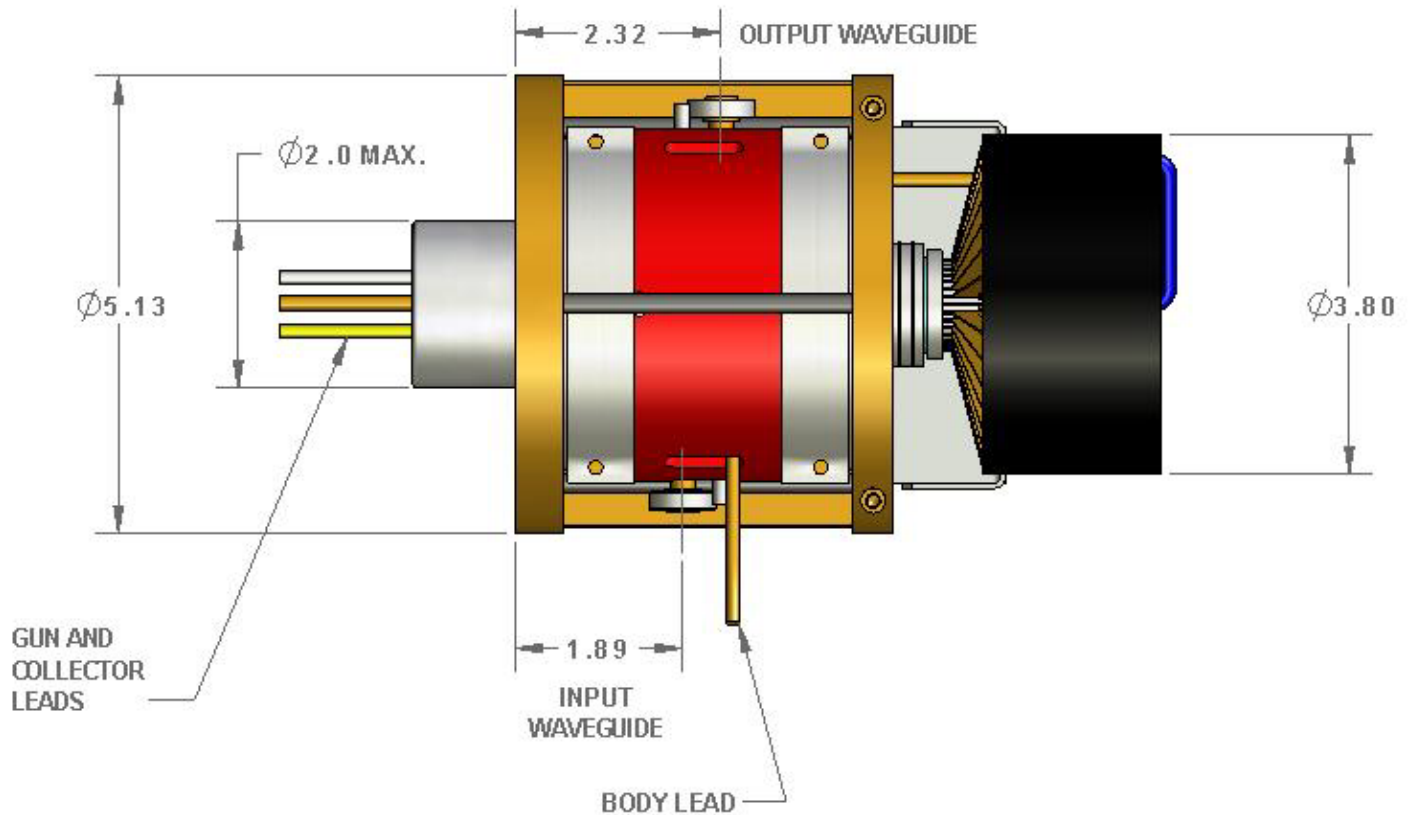
COOLING	
Type:	Forced Air
Flow Rate: Collector:	450 lbs/hr (100 CFM at STP)
Flow Rate: Body	225 lbs/hr (50 CFM at STP)
Pressure Drop: Collector	0.5 inches of water, nom
Pressure Drop: Body	0.1 inches of water, nom.



#### NOTES:

1. Characteristic values are based on performance tests. These values may change without notice.
2. Please consult your local CPI sales office or CPI Canada for more information.

## OUTLINE DRAWING



MECHANICAL	
Input and Output Waveguides:	WR-10
Input and Output Flanges:	Mate with UG-387/U mod and MIL-F-3922/67B-010.
Power Supply/Connections <sup>8</sup> :	Colour Coded Flying Leads, 18.0 inches min length
Weight:	8.0 kg max.

For further information please contact CPI Canada, a field office or local representative they may be found on our web site at:  
[www.cpii.com](http://www.cpii.com)